

Specs & Installation Guide

J Series - Boiling Billy

On-Wall Boiling Water Tap Systems



JR Economy Series Spec Sheet

Wall Mounted Instant Boiling Water Unit

2.5-10 Litre

- Removable front cover
- Colourbond white cover

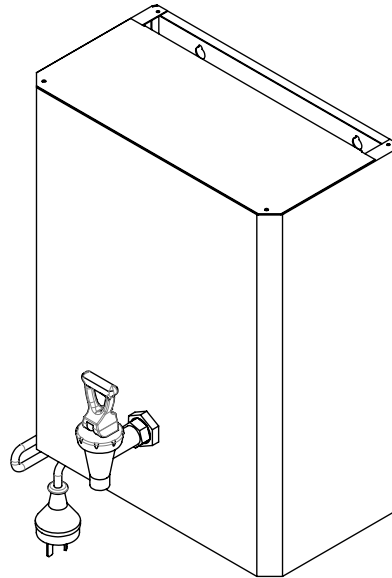
Full Service Network

- One year warranty
- Spare Parts: Tap, ball valve, element
- Simple to service if required

How to Specify

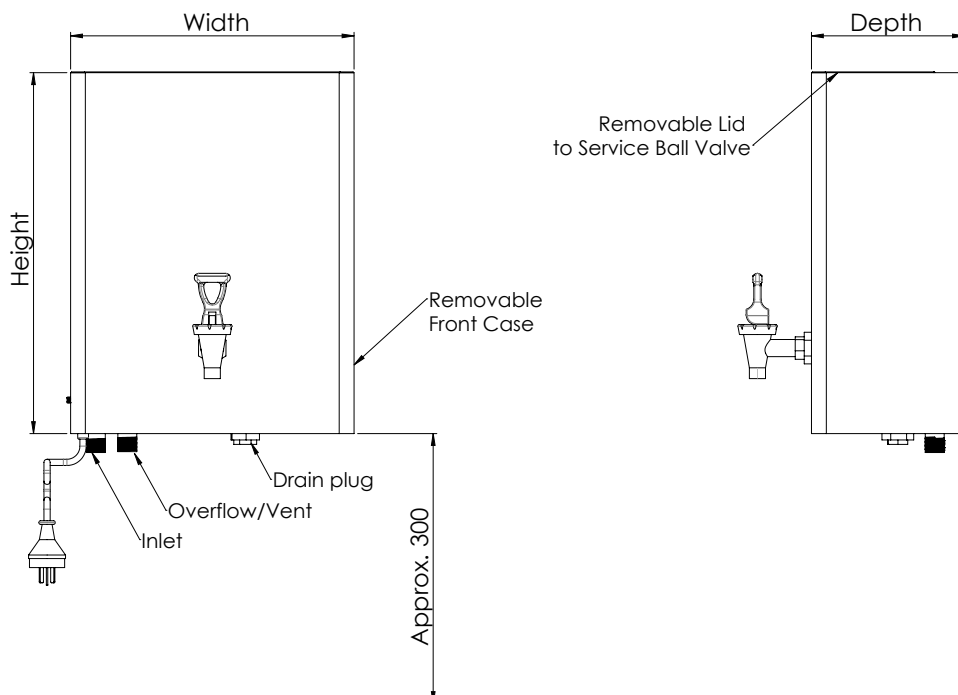
Determine how many cups of boiling water required at one time, specify the corresponding model.

For stainless steel case include SS in code



Optional Extras
Water filters
Optional stainless cover

MODEL NO.	Capacity Litres	No. of Cups (200ml Per Cup)	Cups/Hr Recovery Rating Kw	Rating Kw	Height	Width	Depth
JR2.5	2.5	14	110	2.4	400	310	165
JR5	5	25	110	2.4	400	310	165
JR7.5	7.5	38	110	2.4	520	310	165
JR10	10	50	110	2.4	520	310	165



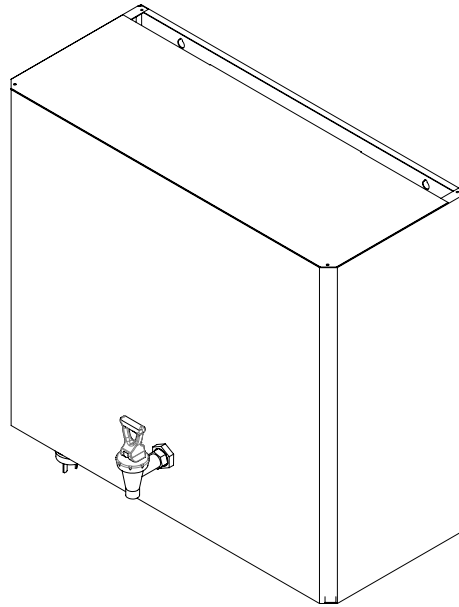
JE Series Spec Sheet

Wall Mounted Instant Boiling Water Unit

- 15-60 Litre**
- Removable front cover
 - Computerised element
 - Colourbond white cover
 - Optional stainless cover

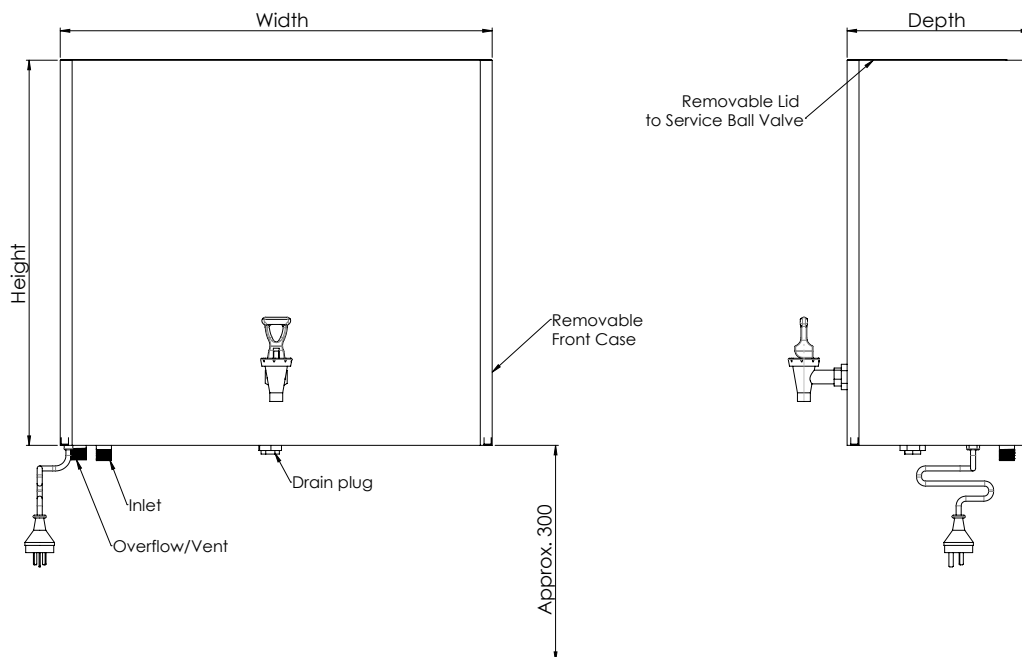
- Full Service Network**
- One year warranty
 - Spare Parts: Tap, ball valve, element
 - Simple to service if required

How to Specify
 Determine how many cups of boiling water required at one time, specify the corresponding model.
 If a larger element is required, place Kw rating after the model number
 For stainless steel case include SS in code

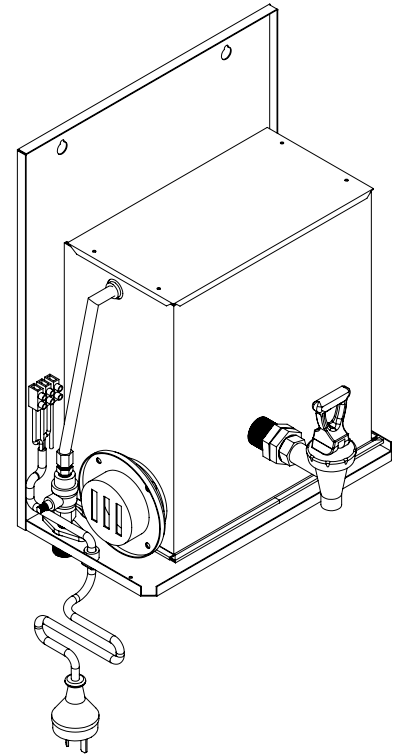
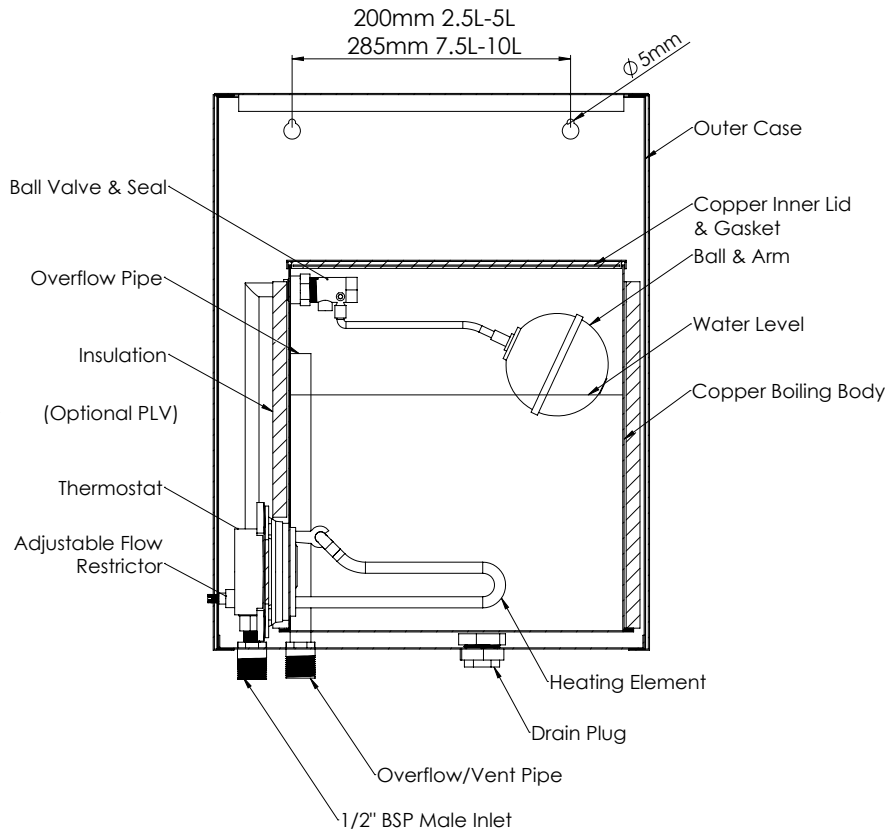


Optional Extras
 Twin taps, water filters
 3.0, 4.8, 6, 7.2 & 9Kw rating

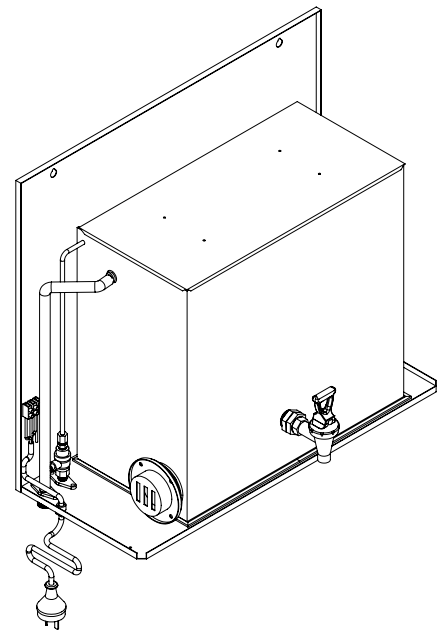
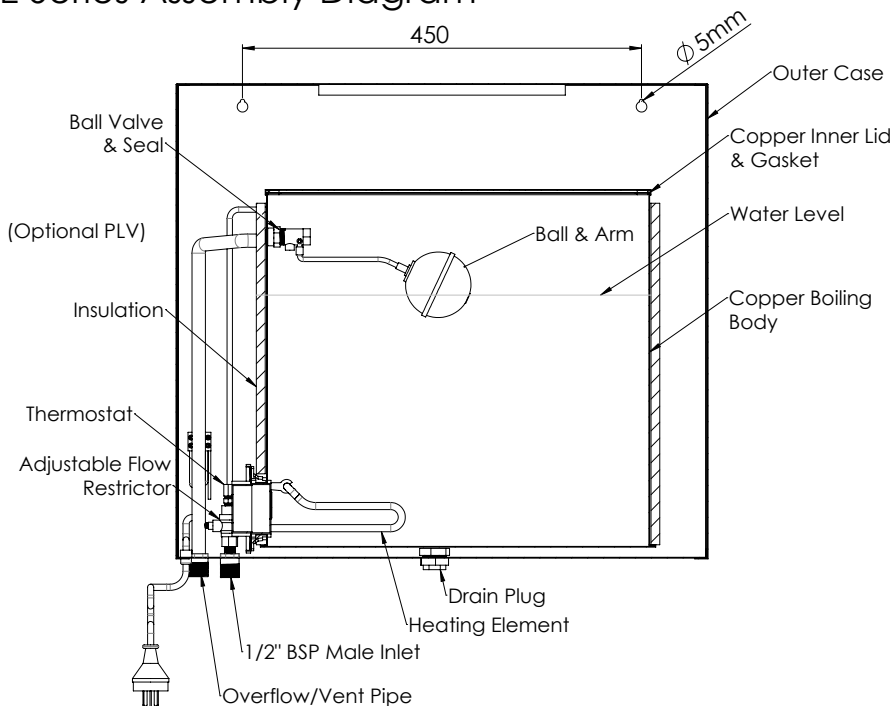
MODEL NO.	Capacity Litres	No. of Cups (200ml Per Cup)	Cups/Hr Recovery Rating Kw	Rating Kw	Height	Width	Depth
JE15	15	75	110/160	2.4/3.0	535	600	250
JE20	20	100	110/160	2.4/3.0	535	600	250
JE30	30	150	110/160	2.4/3.0	635	600	250
JE40	40	200	110/160	2.4/3.0	775	600	250
JE50	50	250	110/160	2.4/3.0	775	600	250
JE60	60	300	110/160	2.4/3.0	840	600	250



JR Series Assembly Diagram



JE Series Assembly Diagram

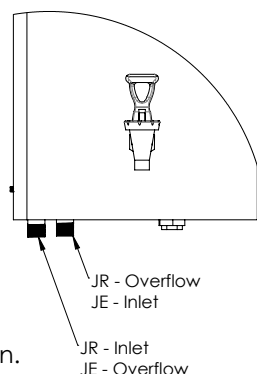
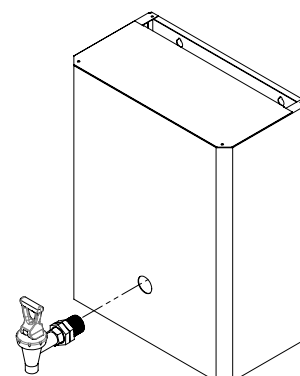


Installation Instructions

Boiling Billy JE, JR Series

DO NOT PLUG IN OR TURN ON POWER
POWER MUST BE OFF UNTIL INSTALLATION IS COMPLETED
IF SUPPLIED CORD IS DAMAGED IT MUST BE REPLACED BY AN AUTHORISED SERVICE AGENT
 This product must be installed in accordance with AS/NZS 3500.1 or AS/NZS 3500.4

1. Fit tap and shank on the front outlet connection provided.
2. Mount unit on the wall using fixing points on the back of the unit.
 It is advisable to position the tap outlet over a drain board so that in the event of a leaking tap the water can be disposed via the sink.
3. Connect mains water supply to the 1/2" BSP inlet with an inline stop valve (Not supplied).
 We recommend the fitting of a 350kpa PLV.
 *Please note: JR and JE models inlet positions.
4. Connect overflow pipe to waste or any other area where water can be disposed in a safe manner (Tundish should be fitted).
5. Plug unit into 10 amp power outlet.
 *3.0kw element requires a 15amp power outlet.
6. Turn 'on' water supply to the unit and 'open' the outlet tap.
7. Wait until the water flows out of the tap.
8. When the water flows out of the tap switch on the power.



AFTER POWER IS ON allow 30 minutes before using.
 Please leave these instructions with the unit.

- The unit is fitted with a computerized element and boil dry protection.
- The computer is set at 97degrees C, + -1 degree.
- Altitude will alter temperature (refer back to manufacturer)
- This unit must be fitted with a filter we recommend changing the cartridge every 6 months.
- The manufacturer recommends the cleaning and service of the unit every 12 months.

DO NOT CONNECT TO HOT WATER LINE. TO DO SO WILL VOID WARRANTY.
ALL UNITS MUST BE FITTED WITH A WATERMARKED WATER FILTER OR VOID WARRANTY.
ONLY TEFLON TAPE TO BE USED WHERE NECESSARY. UNDER NO CIRCUMSTANCES IS PLUMBERS PASTE TO BE USED.
DEPENDING ON WATER CONDITIONS, ADDITIONAL PREFILTERS SHOULD BE FITTED. (CONTACT THE MANUFACTURER)

Troubleshooting

SYMPTOM	CAUSES	ACTION
Water Overflowing	Water level too high	Check and set water level to indicated level 20mm below overflow pipe. Remove ball valve insert. Clean and reinstall and adjust ball valve arm if necessary. Remove ball valve float and check to ensure that there is no water in it. Replace if necessary.
Continuous boiling	Ball Valve defective	Ensure ball valve closes off (does not leak) Replace if necessary
	Faulty element	Replace Element
Water not hot	Power not on	Check if power is on
	Element faulty	Replace element
No water	Water has been turned off	Turn on water
	Blocked ball valve	Remove ball valve and clean out hole or replace ball valve
	Blocked filter	Change filter cartridge
	Units fitted with flow restrictor located inside case at base of unit	Fully open flow restrictor and re adjust water flow as instructions on side of case.

